

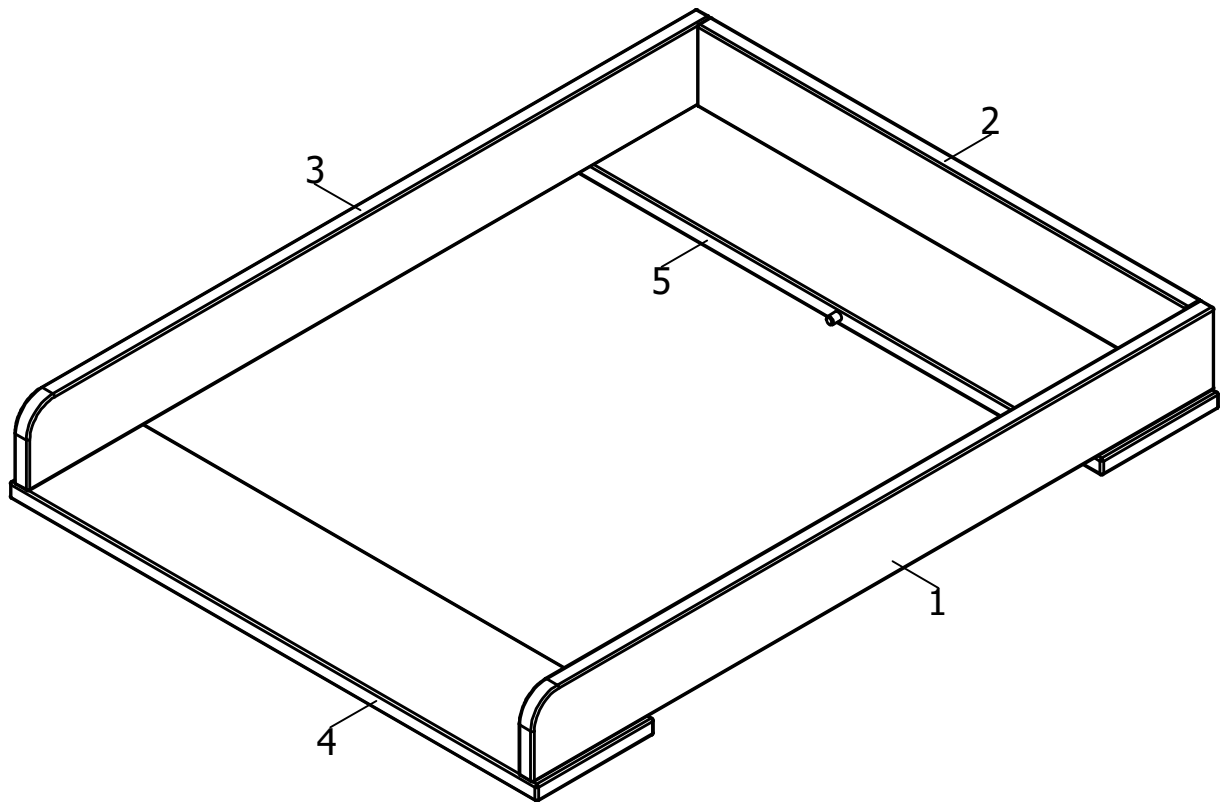


ASSEMBLY INSTRUCTION  
MONTAGE HANDLEIDING  
MONTAGE ANLEITUNG  
NOTICE DE MONTAGE  
MANUAL DE MONTAJE

UK  
NL  
D  
F  
ESP

MODEL  
TYPE  
COLOUR  
ART.CODE

:SAFI  
:BARRIER  
:DUNE  
:137206.35






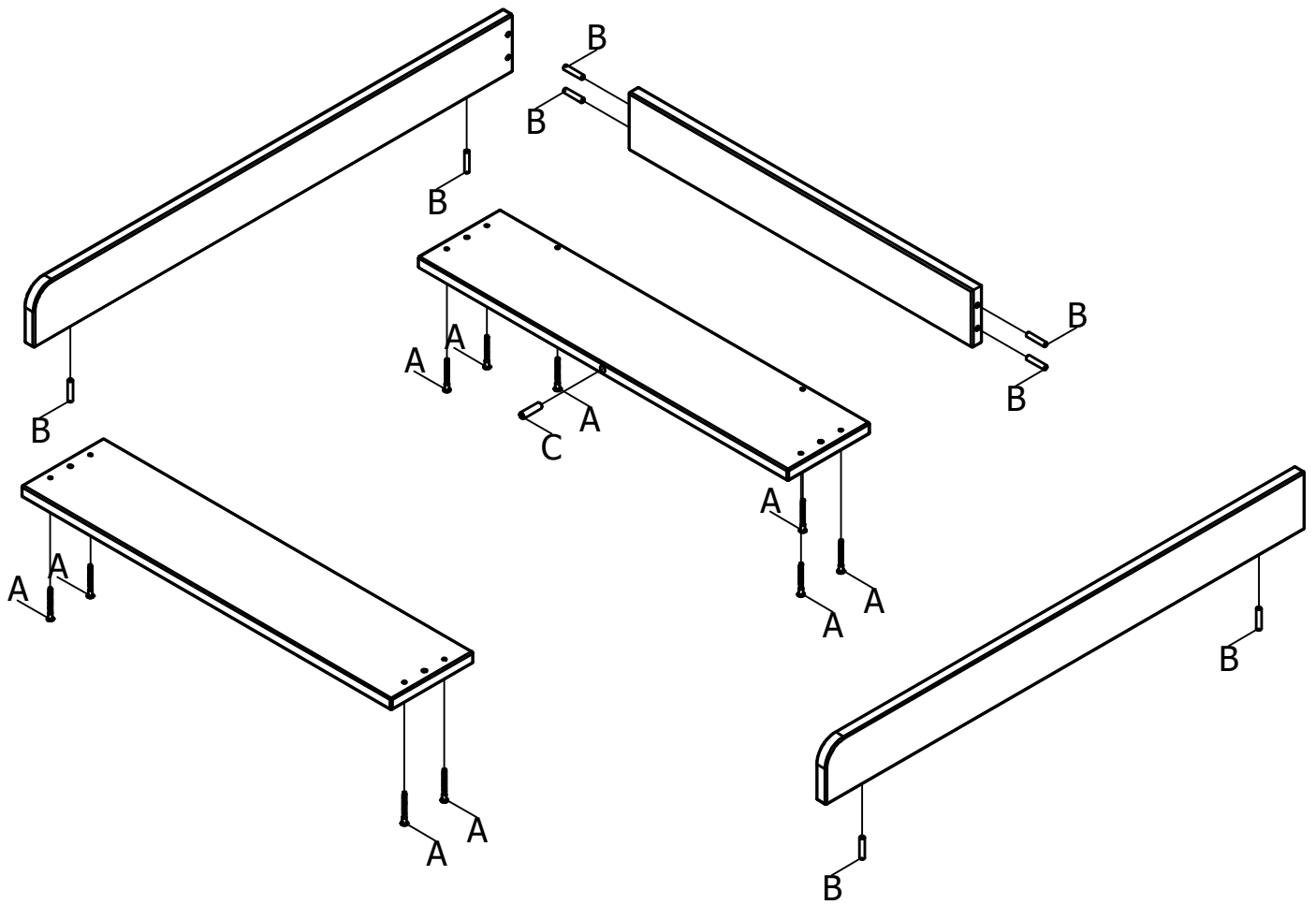
Distributor:

BOPITA  
Energieweg 1  
6662 NS Elst  
The Netherlands

[www.bopita.com](http://www.bopita.com)

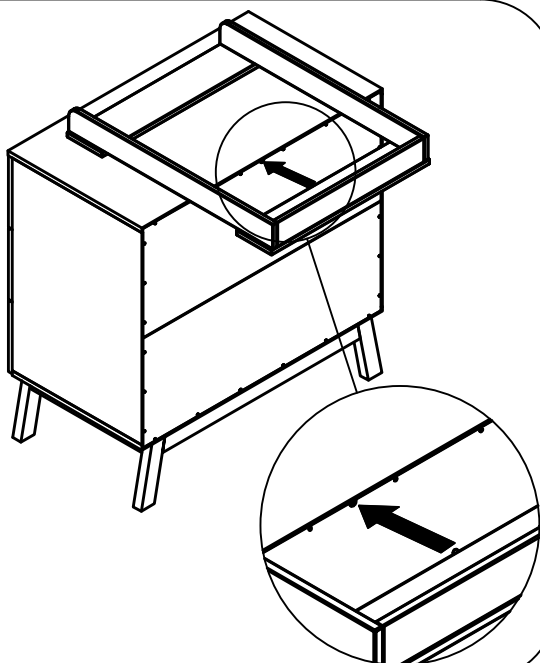
15.06.2023.

<p>A</p>  <p>5X40    10X</p>	<p>B</p>  <p>Ø6X30    8X</p>	<p>C</p>  <p>Ø8X30    1X</p>
---	---	---





7



8

